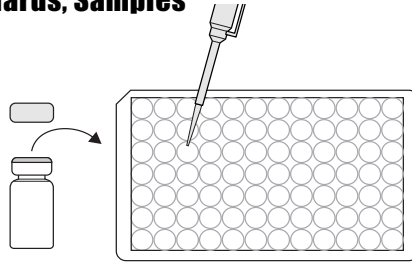


# ABRAXIS® BMAA ELISA Plate 520040

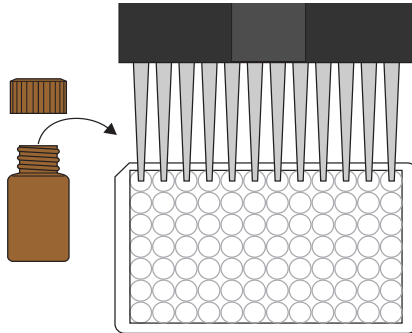
## 1. Addition of Standards, Samples

Add 100 uL of the standard solutions or samples into the wells of the test strips according to the working scheme given. We recommend using duplicates or triplicates.



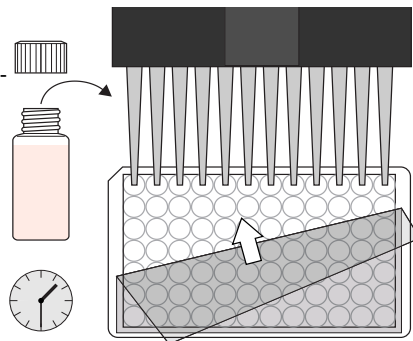
## 2. Addition of Enzyme Conjugate

Add 50 uL of the enzyme conjugate to the individual wells successively using a multi-channel pipette or a stepping pipette.



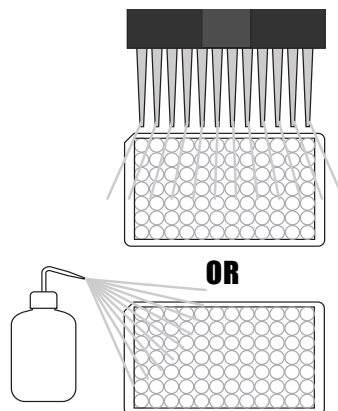
## 3. Addition of Antibody Solution

Add 50 uL of the BMAA antibody solution to the individual wells successively using a multi-channel pipette. Cover the wells with parafilm or tape and mix the contents by moving the strip holder in a circular motion on the benchtop. Be careful not to spill the contents. Incubate the strips for 90 minutes at room temperature.



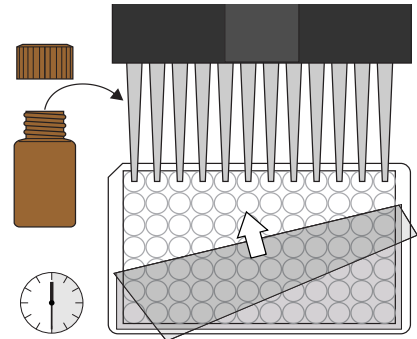
## 4. Washing of Plates

After incubation, remove the covering and vigorously decant the contents of the wells into a sink. Wash the strips four times with a multi-channel pipette or wash bottle using the diluted 1X washing buffer solution. Please use at least a volume of 250 uL of washing buffer for each well and each washing step. Remaining buffer in the wells should be removed by patting the inverted plate dry on a stack of paper towels.



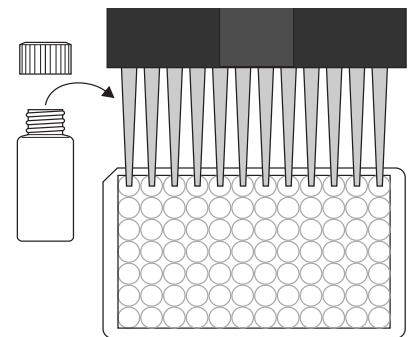
## 5. Addition of Substrate/Color Solution

Add 150 uL of substrate/color solution to the individual wells successively using a multi-channel pipette or a stepping pipette. Cover the wells with parafilm or tape and mix the contents by moving the strip holder in a circular motion on the benchtop. Be careful not to spill the contents. Incubate the strips for 30 minutes at room temperature.



## 6. Addition of Stopping Solution

Add 100 uL of stop solution to the wells in the same sequence as for the substrate solution using a multi-channel pipette or a stepping pipette.



## 7. Measurement of Color

Read the absorbance at 450 nm using a microplate ELISA reader. Calculate results.

