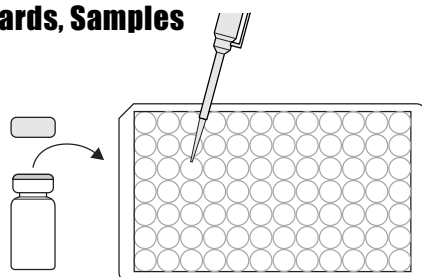


# Okadaic Acid (DSP) PP2A ELISA Plate 520025

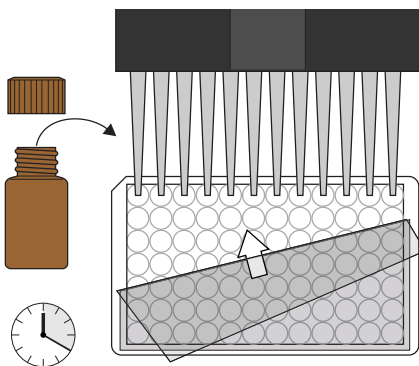
## 1. Addition of Standards, Samples

Add 50 uL of the standard solutions, and samples into the wells of the test strips according to the working scheme given. We recommend using duplicates or triplicates.



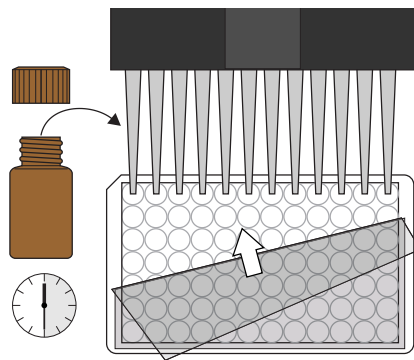
## 2. Addition of Phosphatase Solution

Add 70 uL of the Phosphatase solution to the individual wells successively using a multi-channel pipette or a stepping pipette. Incubate the strips for 20 min at 30°C.



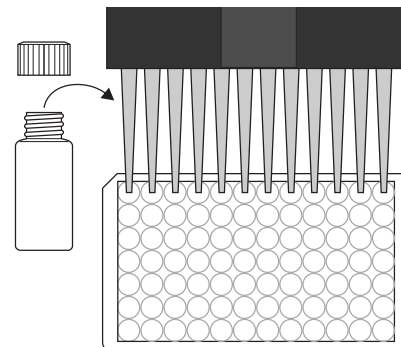
## 3. Addition of Chromogenic Substrate

Add 90 uL of the Chromogenic Substrate to the individual wells successively using a multi-channel pipette or a stepping pipette. Cover the wells with parafilm or tape and mix the contents by moving the strip holder in a rapid circular motion on the benchtop. Be careful not to spill contents. Incubate the strips for 30 min. at 30°C.



## 4. Addition of Stopping Solution

Add 70 uL of stop solution to the wells in the same sequence as for the substrate solution using a multi-channel pipette or a stepping pipette.



## 5. Measurement of Color

Read the absorbance at 405 nm using a microplate ELISA reader. Calculate results.

